

Self-Installation Kit Installation Instructions

Telephone Cable Modem

Use the connection diagram and follow the below steps to connect the Telephone Cable Modem.

1. Connect the phone cable from the Telephone base to the Line 1 / Telephone 1 connector on the Telephone Cable Modem.
2. Connect one end of the coaxial cable to the cable outlet or splitter and the other end to the Cable In on the back of the Telephone Cable Modem. If you are using a Cable Wall Outlet (no TV attached), plug one end of the coaxial cable into the wall outlet and the other end into the Cable In on the back of the Telephone Cable Modem.

3. Insert the plug from the AC adapter or the power cord into the Power connector on the Telephone Cable Modem. Insert the power cord into a convenient AC outlet.

Note: You may be able to reduce the risk of damage from voltage surges, which can be caused by lightning storms and power outages, by plugging the Cable Modem into a surge protector.

4. Turn on the Power to the Telephone Cable Modem. Check that the lights on the front cycle through this sequence:
 - Power flashes during the self-test and changes to solid color when the self-test is successfully completed.
 - Receive flashes while scanning for the receive (downstream) channel and changes to solid color when it is connected.
 - Send flashes while scanning for the send (upstream) channel and changes to solid color when it is connected.
 - Online or PC flashes while the cable modem downloads configuration data and changes to solid color when the download is completed.
 - The telephone "Line 1" and "Line 2" lights will flash simultaneously. Wait for telephone "Line 1" to go solid.
 - Verify dial tone.

Allow 5 to 30 minutes to power up for the first time because the Telephone Cable Modem must find and lock on the appropriate channels for communication.

5. **Ethernet Connection:** Connect one end of the Ethernet cable to the port on the back of the Telephone Cable Modem labeled "Ethernet 10/100," and the other end to the Ethernet port on a computer, hub, or broadband router.

USB Connection: Connect one end of the USB cable to the USB port on the computer and the other end to the USB port on the back of the Telephone Cable Modem.

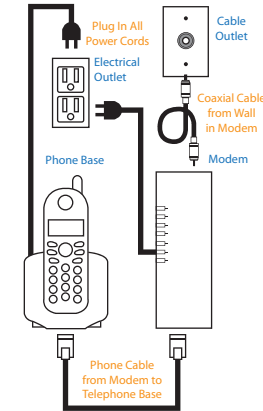


Diagram A

Digital Phone Modem Installation With Cable TV

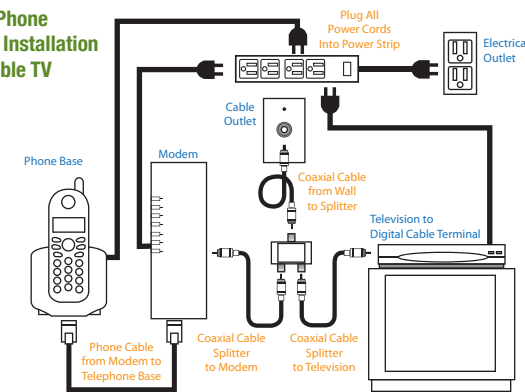


Diagram B

Digital Phone Modem Installation With Road Runner

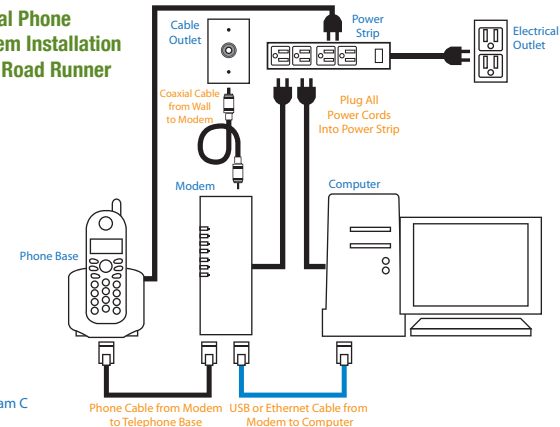


Diagram C